

Service Trolleys

1/1 GN or EN Containers Trolley with 20 Pairs of Supports

ITEM # _____

MODEL # _____

NAME # _____

SIS # _____

AIA # _____



361130 (SCV20)

1/1 GN or EN containers
trolley with 20 pairs of
supports, 105 mm pitch

Short Form Specification

Item No. _____

Constructed in 304 AISI stainless steel. Framework in square 25x25mm tubing. The top shelf for collection of glasses and bottles is removable. Tray supports, in chromium plated galvanised steel, can slide up/down for cleaning; they can accommodate trays or containers. Trays are positioned in two rows (10+10). N. 4 swivelling castors, two with brakes, mm125 in diameter, fitted with plastic bumpers.

Main Features

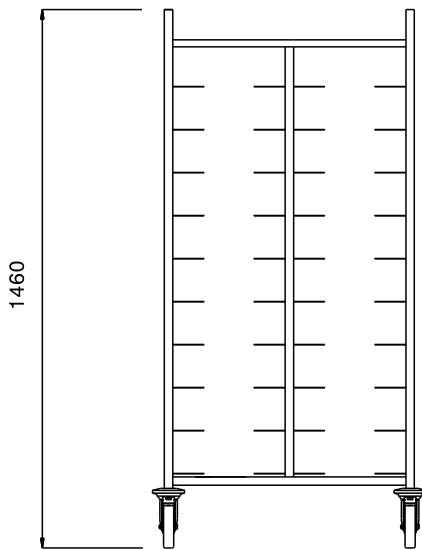
- Framework in square 25x25 mm tubing, completely welded.
- Chromium plated galvanised steel tray supports can be slid up/down for cleaning.
- Removable top shelf for collection of glasses and bottles.
- 4 pivoting Ø 125 mm wheels, 2 of which with brakes, fitted with plastic bumpers and support in chromium plated galvanised steel.
- Accommodates 20 GN trays or containers placed in single row.

Construction

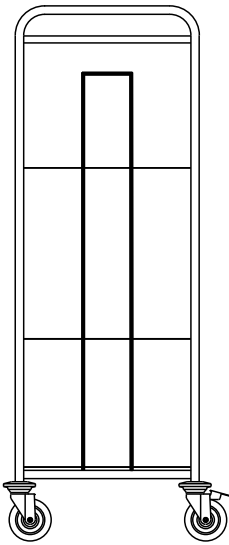
- Constructed entirely in 304 AISI stainless steel.

APPROVAL: _____

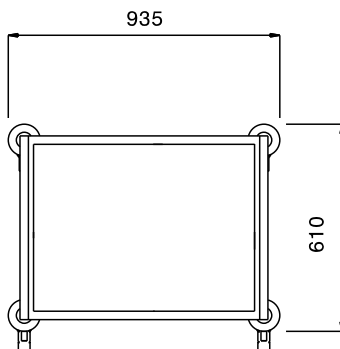
Front



Side



Top



Key Information:

External dimensions, Width:

361130 (SCV20) 935 mm

External dimensions, Depth: 610 mm

External dimensions, Height: 1460 mm

Net weight: 38 kg